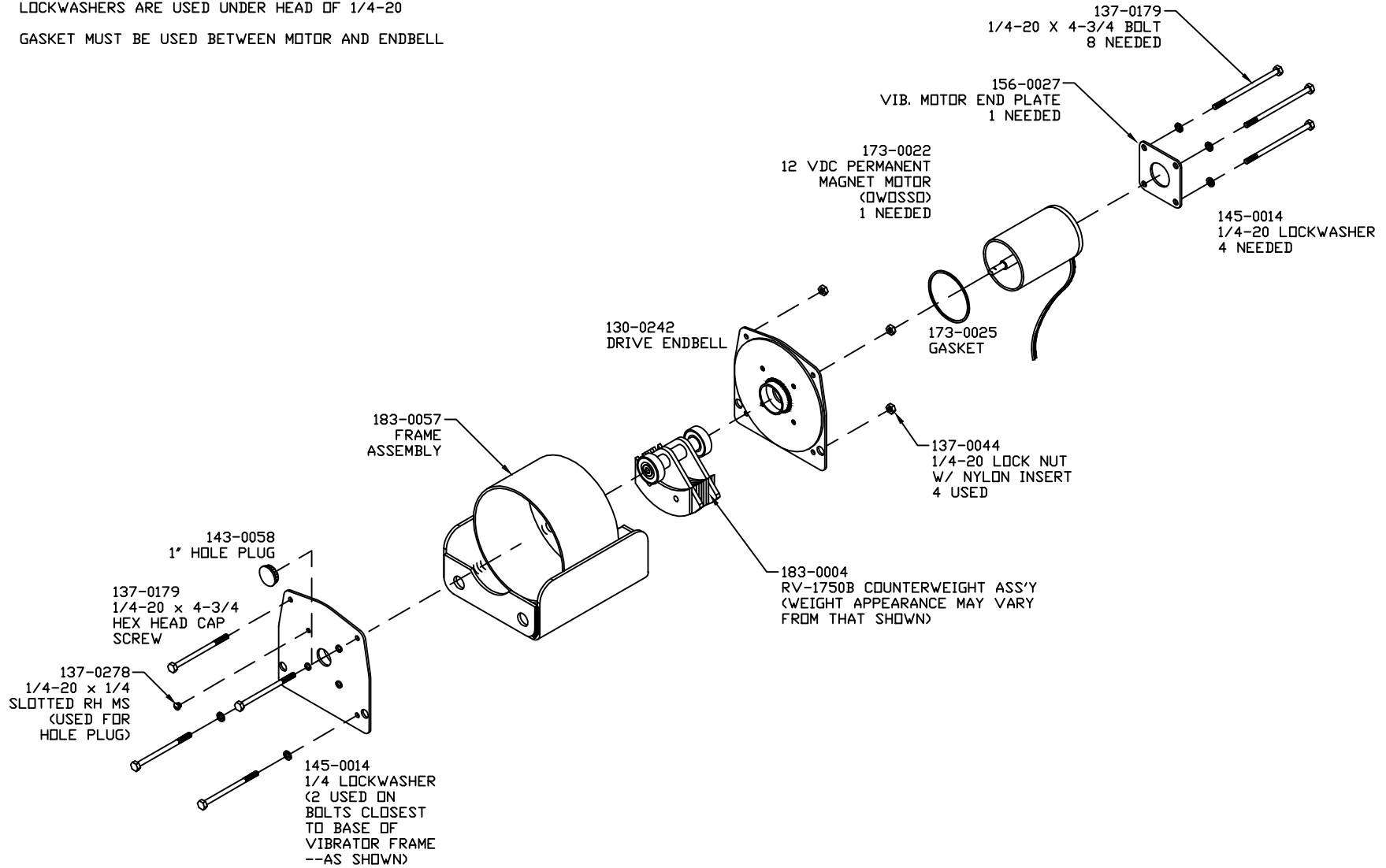


REV. DATE DESCRIPTION:

NO: 183-0060

LOCKWASHERS ARE USED UNDER HEAD OF 1/4-20
GASKET MUST BE USED BETWEEN MOTOR AND ENDBELL



TENDAIRE / ELECTROL

NAME: RV-1750B
VIBRATOR ASSEMBLY

ON ALL MACHINE DIMENSIONS ALLOW ± 0.005
UNLESS OTHERWISE SPECIFIED.

MATERIAL:

PART TO:

SCALE: NONE

DATE: 03/02/10

DWG BY: A.M.L.