

Tendaire Vibrator

mounting to

Beds with Crossmembers

Optional "C" channel mounting plates are available to simplify installation.
 18 inch length (P/N 110-0217A)
 24 inch length (P/N 110-0225A)

*If ordered together,
 preassembled to
 Just weld in place.*

Vibrator should be mounted as shown where the axis of rotation is parallel to the ground and rotation of weight is toward direction of material flow. Frame of vibrator is marked to indicate direction of rotation.

*the vibrator comes
 mounting plate—*

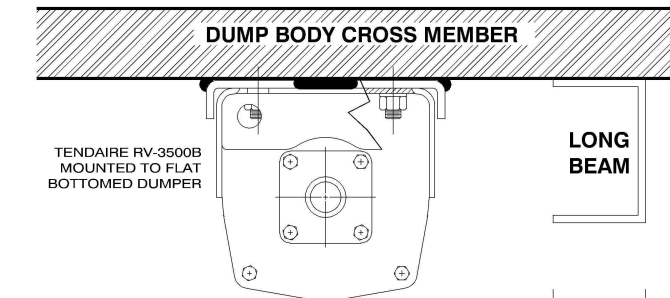
We can also supply the

(with 6 Ga. ground wire included)

power connector(s)

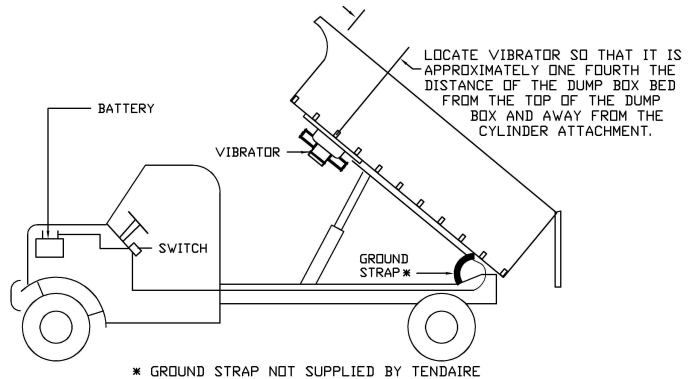
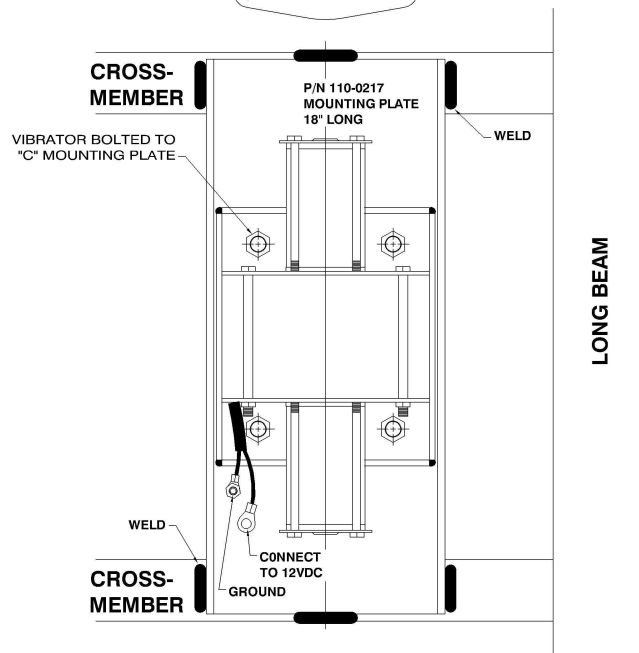
(50 Foot of 6 Ga. Battery Cable, Push-button Switch and 6 sec. Timer come standard)

Tendaire Industries
 1-800-769-3769



CROSS-MEMBER MOUNTING

*Using 18 inch long
 "C" mounting plate*



* GROUND STRAP NOT SUPPLIED BY TENDAIRE

Please **KEEP** these instructions so you can make copies for your shop!