

Tendaire Vibrator for your End Dump Trailer

Optional "C" channel mounting plates are available to simplify installation.
18 inch length (P/N 110-0217A) 24 inch length (P/N 110-0225A)

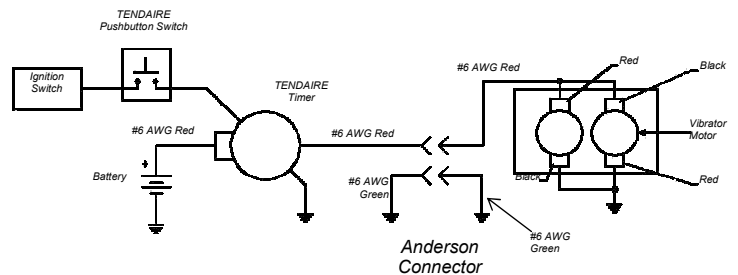
*If ordered together, the vibrator comes preassembled to mounting plate—
Just weld mounting plate in place.*

We can also supply the power connector(s) with 6 Ga. ground wire included

(50 Foot of 6 Ga. Battery Cable, Push-button Switch and 6 sec. Timer come standard)

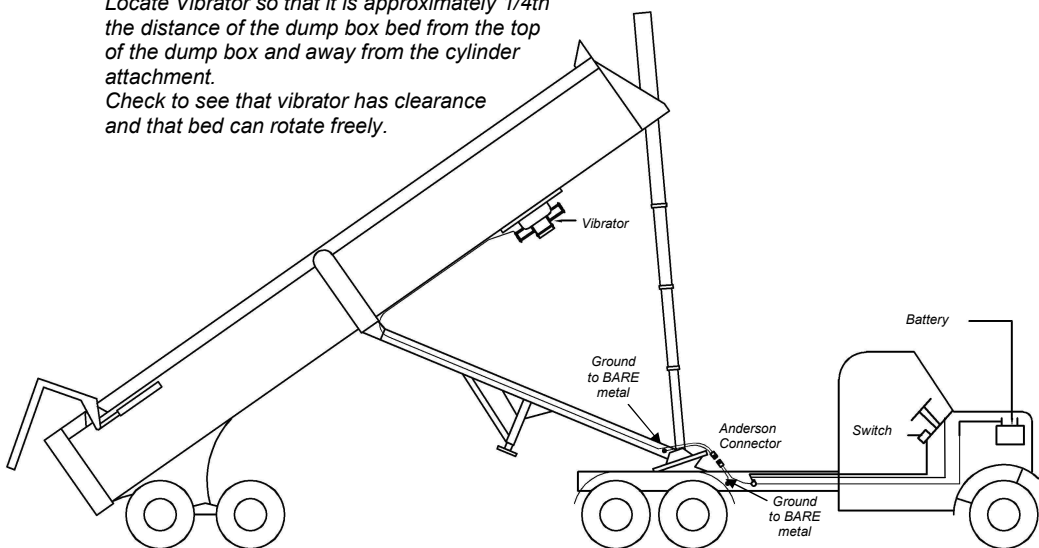
Tendaire Industries
1-800-769-3769

Wiring for end dump trailer



**Be sure Vibrator
& components are properly
grounded
to BARE metal.**

*Locate Vibrator so that it is approximately 1/4th
the distance of the dump box bed from the top
of the dump box and away from the cylinder
attachment.
Check to see that vibrator has clearance
and that bed can rotate freely.*



**For an end dump trailer please let us know the
length of #6 AWG cable Needed for your**

Please **KEEP** these instructions so you can make copies for your shop!