

You Asked For It, So Here It is:  
Tendaire's  
**DUMP BODY VIBRATOR TIMER!**  
**MODEL VT-6**

**TENDAIRE**  
INDUSTRIES, INC.

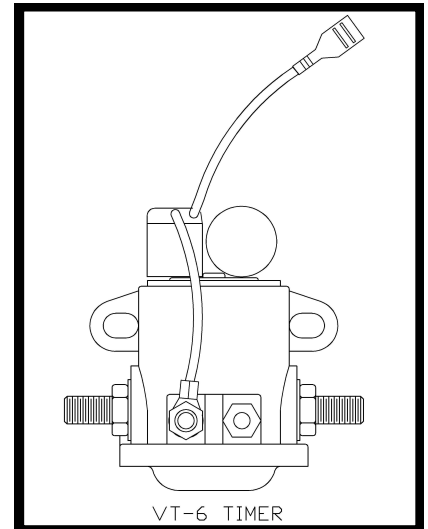
1100 W. Cedar Street  
Beresford, SD 57004

**1. WHY DO YOU NEED A TIMER ON YOUR VIBRATOR?**

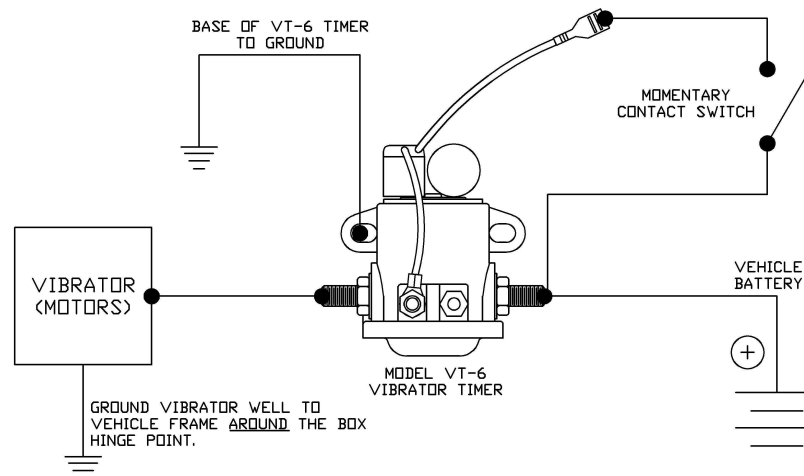
- A. A dump body vibrator timer will extend the life of your vibrator by automatically limiting the time the vibrator can be continuously run. Running the vibrator long than it is designed to run can seriously damage the vibrator by over heating the motors.
- B. Studies show that the optimum vibrations supplied by the vibrator are in the first 5 to 6 seconds of the cycle and the wind down time. The vibrator time will insure that your vibrator is being used to it's maximum potential.
- C. The VT-6 timer will take the guess work out of determining how long the operator has had the vibrator running. This allows the operator to focus on the safe operation of the vehicle.

**2. THE VT-6 TIMER IS EASY TO INSTALL.**

The VT-6 timer mounts between the push button switch and the vibrator, generally under the vehicles dash. The cable that runs from the battery to the vibrator switch is simply connected to one side of the VT-6 timer. Connect the cable that runs to the vibrator on the other side of the VT-6 timer. Connect the small wire that goes to the dash mounted switch and you're ready to go to work.



**WIRING DIAGRAM FOR VT-6**



**3. USING THE VT-6 TIMER / INCREASED VIBRATOR LIFE.**

Once the timer has been installed the operator simply pushes the switch and holds it in until the vibrator quits running. The switch is released and in just a few seconds the vibrator is ready to be used again. The timer automatically limits the continuous operating time of the vibrator, dramatically increasing the useful life of the vibrator.

To order a VT-6 timer or for more information call:  
1-800-669-2887 or Fax 605-763-5073